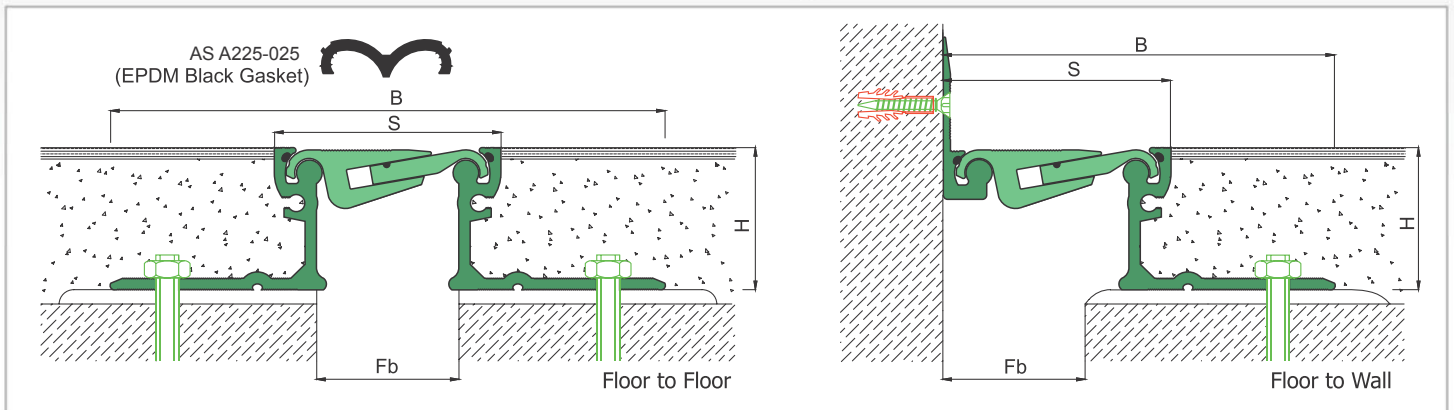
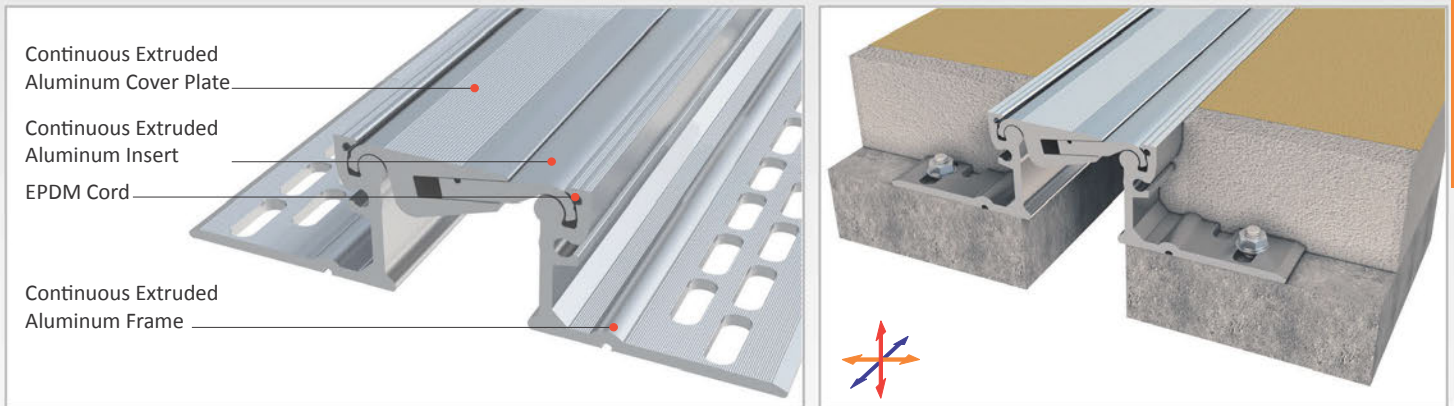


AS A225 profile is particularly designed for areas with heavy vehicle traffic. Pure metal structure characterizes AS A225 as a hardwearing & maintenance free profile. Hinged profile system and freely moving center pieces let the profile to meet displacements in 3 directions. Striated profile surface prevents slipping while the EPDM cords placed between the profiles eliminate metal stroking noise and minimize liquid leakage risk. Quite wide designed punched base frame lets the profile to be installed in an easy, quick and secured way. As pure metal profiles can not function in very narrow gaps, AS A225 – 030 profile with elastomeric gasket is designed and can be applied to gaps up to 25 mm. For surface mounted applications, AS U235 model is recommended. Profiles are delivered factory-assembled.

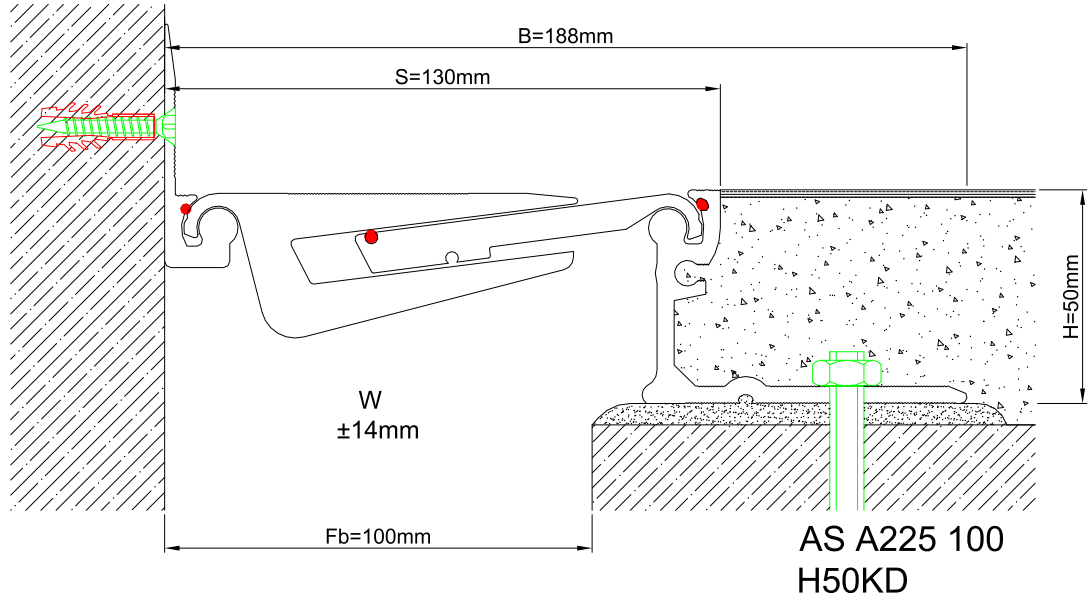
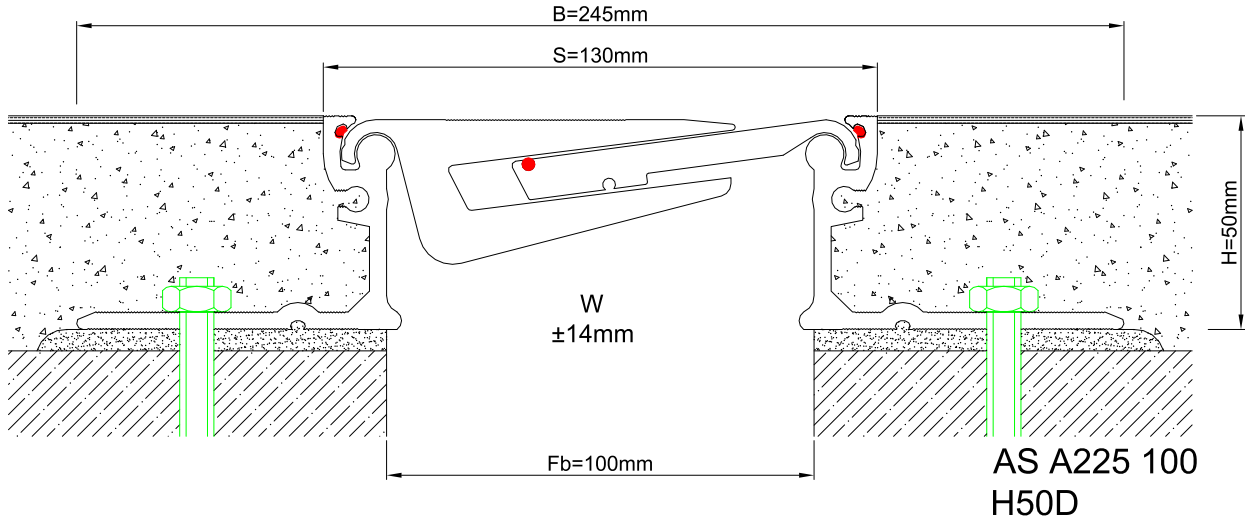
- Application Areas** : Indoor & Outdoor / Floor
- Ideal for** : Factories, Warehouses, Car Parks, Airports, Shopping Malls, Commercial & Public Buildings etc.
- Material** : Mill Finish Aluminum (Anodizing optional), EPDM Cord; EPDM Gasket (Only AS A225-030)
- Aluminum Alloy** : 6063 AA-USA / EN AW 6063
- Optional Supplies** : Fire Barrier, Waterproof EPDM membrane




* Visuals are representative and the profile configuration may differ depending on the characteristics requested.

LOCATION	MODEL	GAP (Fb) mm	HEIGHT (H) MM	OVERALL WIDTH (B) mm	VISIBLE WIDTH (S) mm	MOVEMENT (W) mm	LOAD CAPACITY	STANDARD LENGTH (mt)
Floor to Floor	AS A225-025	25	30 / 38 / 50 / 70	170	55	+10 / -5	25 kN 120 kN	3
	AS A225-035	35	30 / 38 / 50 / 70	183	68	± 5	25 kN 300 kN	3
	AS A225-050	50	30 / 38 / 50 / 70	195	80	± 8	70 kN 300 kN	3
	AS A225-070	70	30 / 38 / 50 / 70	215	100	± 10	70 kN 300 kN	3
	AS A225-100	100	30 / 38 / 50 / 70	245	130	± 14	70 kN 300 kN	3
	AS A225-150	150	65	340	206	± 25	65 kN 300 kN	3

Note: Please ask for different sizes



Profil No Profile Number	AS A225 100	AS A225 100K
Fb (mm)	100	100
H (mm) yaklaşık approx.	50	50
W± (mm) yaklaşık approx.	±14	±14
Renk Color	Alüminyum: Natürel, Fitiller: Siyah Aluminium: Natural, Inserts: Black	
Malzeme Material	Alüminyum, EPDM Kauçuk Aluminium, EPDM Rubber	
Standart Uzunluk Standard Length	3	
Yükleme Kapasitesi Load-Bearing Capacity	70kN 	300kN 